

## SensoIRIS MCP150 Manual Call Point

**EN54-11**

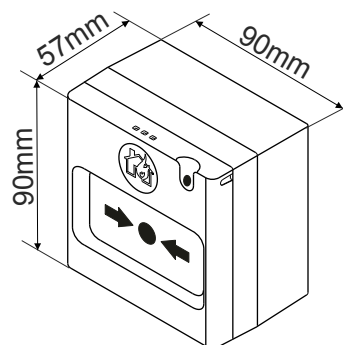
### Description

SensoIRIS MCP 150, is a manual call point with built-in isolator module, designed for installing in addressable fire alarm systems supporting TTE communication protocol. The detector is powered on from the panel and can be controlled via the communication protocol.



### Technical and Environmental Specifications

Operating Voltage Range . . . . .	15 - 32VDC
Consumption without communication (max) . . . . .	125µA@27VDC
Consumption with communication . . . . .	160µA@27VDC
Consumption in Fire mode . . . . .	3mA
Type of the working element . . . . .	resettable (flexible)
Type, according EN54-11 . . . . .	A
Wire Gauge for terminals . . . . .	0.4mm <sup>2</sup> - 2.0mm <sup>2</sup>
Operating temperature . . . . .	-10°C to +60°C
Relative humidity resistance . . . . .	(93 ± 3)% @ 40°C
Protection . . . . .	IP40
Weight . . . . .	~175g
Dimensions . . . . .	90x90x57mm
Material (plastic), color . . . . .	ABS, red



1293-CPD-0257

### Packing Information

- **Packing box** - Kit of 1 unit SensoIRIS MCP150 and 1 unit special tool for test and reset; dimensions 96x96x65 mm.
- **Carton box** - 48 kits of SensoMAG MCP50, dimensions 486x295x196 mm

### Compatible Product Range

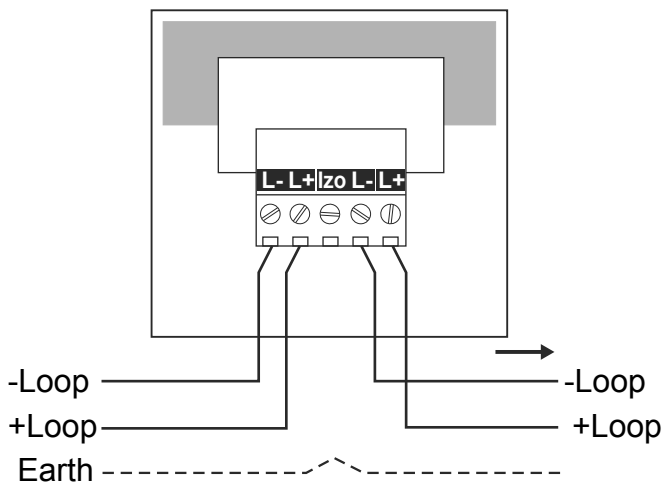
- **IRIS** - Addressable Fire Panel
- **IRIS TTE Loop** - Loop Expander for one loop
- **SensoIRIS Programmer** - Address Programming Tool
- **Protective plastic cover** - Option for additional protection of the working element

### Contact Information:

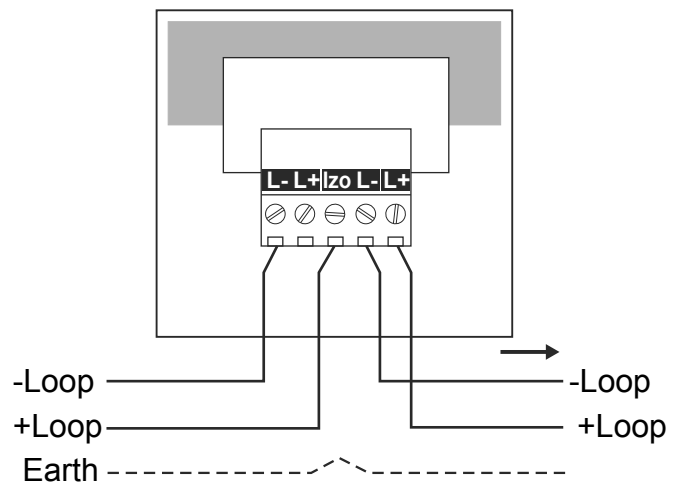
**SensoIRIS MCP150**  
Manual Call Point

**EN54-11**

● Connection Diagrams



Without built-in isolator module



With built-in isolator module

● Contact Information: